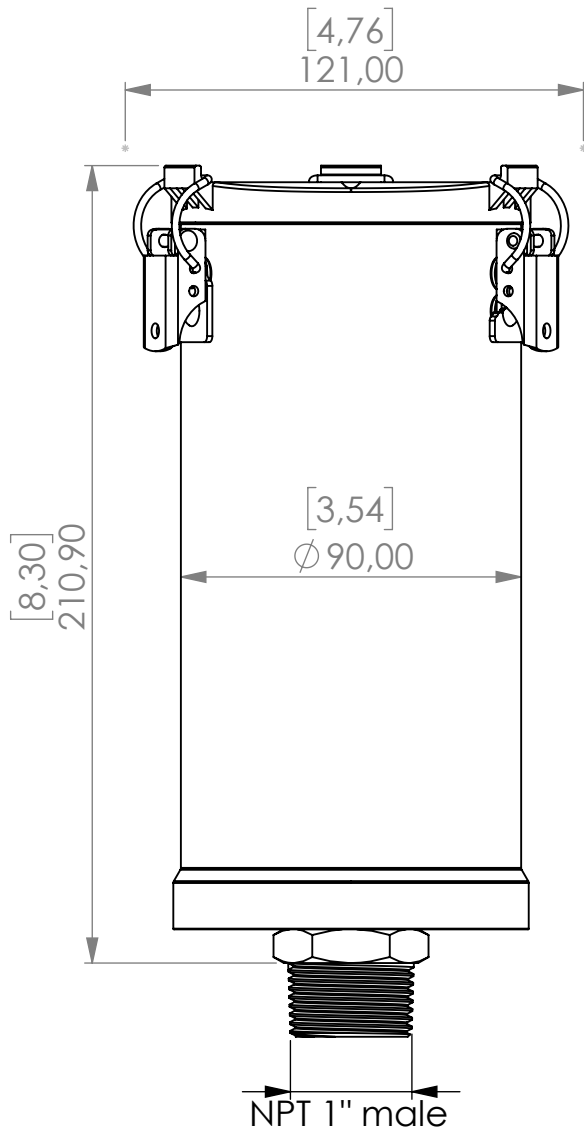


# Adsorber VG-R series



Product Code	<b>VG</b>	-	<b>R</b>	-	<b>2L</b>	-	<b>N</b>	-	<b>00</b>	-	<b>P3</b>	-	<b>C</b>	-	<b>N1m</b>
	Adsorber type		Refillable cartridge		Size		NBR seals		No valves 0 IN 0 OUT		Paper filter 3 micron		Adsorbent active carbon		Connection for System NPT 1" male

Housing materials: PA, PC, SS

Active carbon (kg/lb): 0,3 / 0.66

Total weight (kg/lb): 0,91 / 2.01

NAME:

**Adsorber VG-R 2L N1"m**  
VG-R\_2L\_N\_00\_P3\_C\_N1m

Article no.:  
**05.0040.25**

Status release	Format A4
Scale 1:2	Sheet / of 1 / 1

	Date	Name
rev.	13.08.2025	Daniel Zinic
<b>GIEBEL</b> <a href="http://www.giebel-adsorber.com">www.giebel-adsorber.com</a> <a href="mailto:info@gf-dry.com">info@gf-dry.com</a>		



**GIEBEL Adsorber®**  
...setting standards in aeration drying!