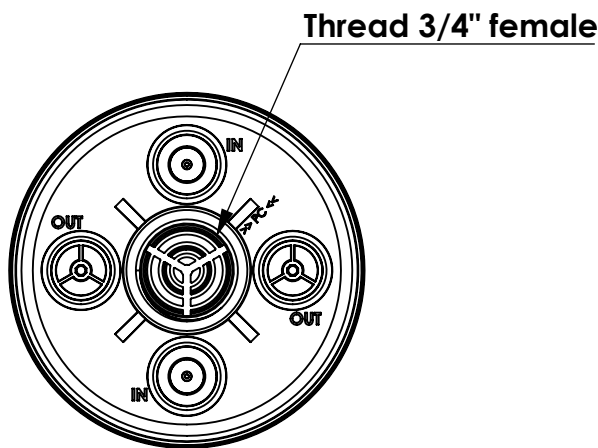
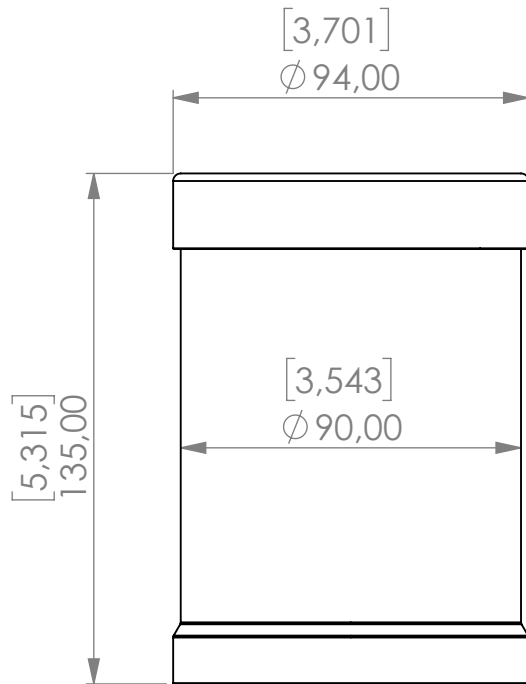


Adsorber VV-DV series



Product Code	VV	-	DV	-	2M	-	N	-	22	-	P3	-	XC	-	34f
	Adsorber type		Disposable cartridge + valves		Size		NBR seals		Check valves 2 IN 2 OUT		Paper filter 3 micron		Adsorbent GIEBEL Xdry® & carbon		Connection for System Thread 3/4" female

Housing materials:	PA6, PC
GIEBEL Xdry® (kg/lb):	0,3 / 0.66
Color-change capacity (ml/floz):	105 / 3.6
Total weight (kg/lb):	0.64 / 1.41

NAME:	
Adsorber VV-DV 2M 3/4" f	
VV-DV_2M_N_22_P3_XC_34f	
Article no.:	Status
05.0020.87	freigabe
	Format
	A4
	Maßstab
	Blatt / von
	1 / 1

 GIEBEL Adsorber® <small>...setting standards in aeration drying!</small>	Date	Name
	rev. 22.07.2025	Daniel Zinic
GIEBEL www.giebel-adsorber.com info@gf-dry.com		