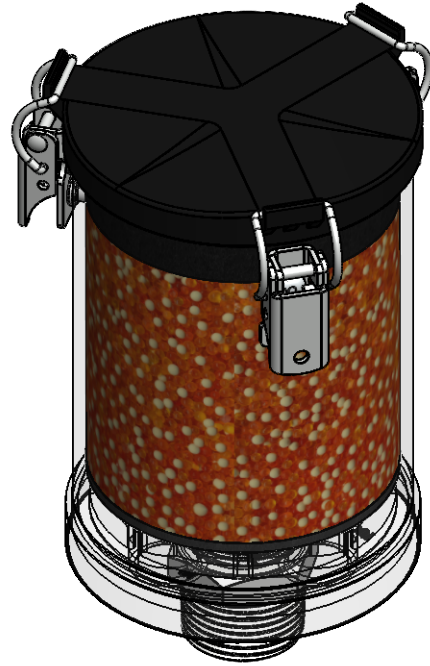
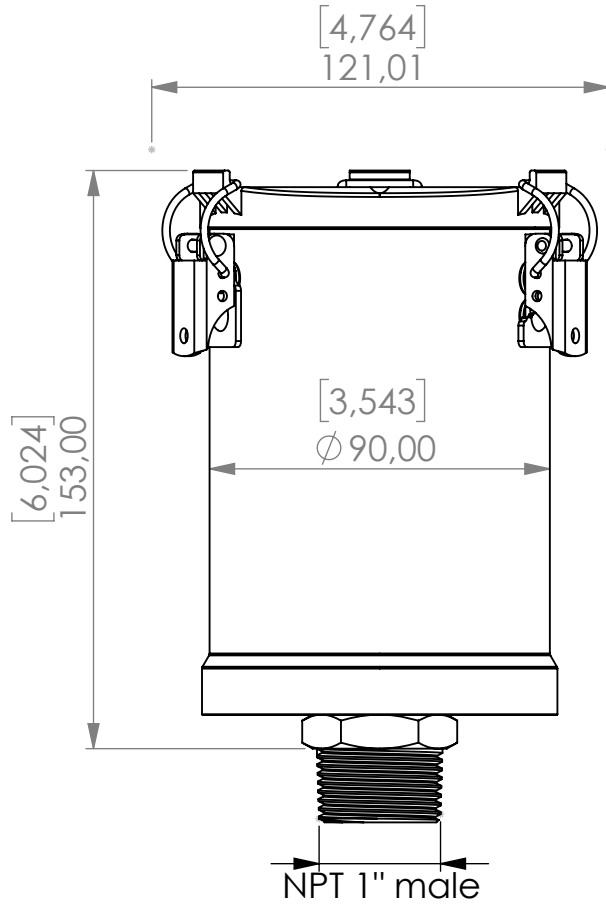


Adsorber VV-R series



Product Code	VV	-	R	-	2M	-	N	-	00	-	P3	-	XC	-	N1m
	Adsorber type		Refillable cartridge		Size		NBR seals		No valves 0 IN 0 OUT		Paper filter 3 micron		Adsorbent GIEBEL Xdry® & carbon		Connection for System NPT 1" male

Housing materials:	PA6, PC, GI, SS		
GIEBEL Xdry® (kg/lb):	0,3 / 0.66	Color-change capacity (ml/floz):	105 / 3.6
Total weight (kg/lb):	0.82 / 1.81		

NAME:		
Adsorber VV-R 2M N1"m		
VV-R_2M_N_00_P3_XC_N1m		
Article no.:	Status freigabe	Format A4
05.0020.92	Maßstab	Blatt / von
	1:2	1 / 1

 GIEBEL Adsorber® <small>...setting standards in aeration drying!</small>	Date	Name
	rev.	29.07.2025
GIEBEL www.giebel-adsorber.com info@gf-dry.com		