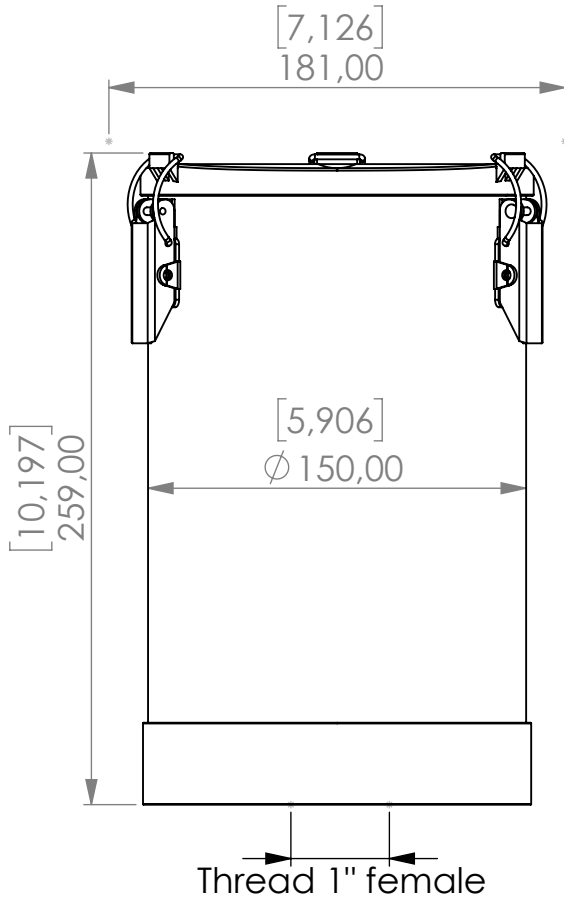


Adsorber VV-R series



Product Code	VV	-	R	-	5M	-	N	-	00	-	P3	-	XC	-	1f
	Adsorber type		Refillable cartridge		Size		NBR seals		No valves 0 IN 0 OUT		Paper filter 3 micron		Adsorbent GIEBEL Xdry® & carbon		Connection for System Thread 1" female

Housing materials:	PA, PC, SS		
GIEBEL Xdry® (kg/lb):	2,0 / 4.41	Color-change capacity (ml/floz):	700 / 23.7
Total weight (kg/lb):	3.236 / 7.13		

NAME:			
Adsorber VV-R 5M 1" f			
VV-R_5M_N_00_P3_XC_1f			
Article no.:	Status freigabe	Format A4	
05.0060.29	Maßstab	Blatt / von	
	1:3	1 / 1	

 GIEBEL Adsorber® <small>...setting standards in aeration drying!</small>	rev.	Date	Name
		31.07.2025	Daniel Zinic
GIEBEL www.giebel-adsorber.com info@gf-dry.com			