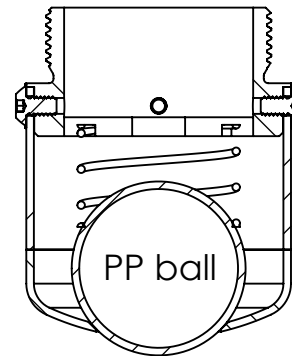
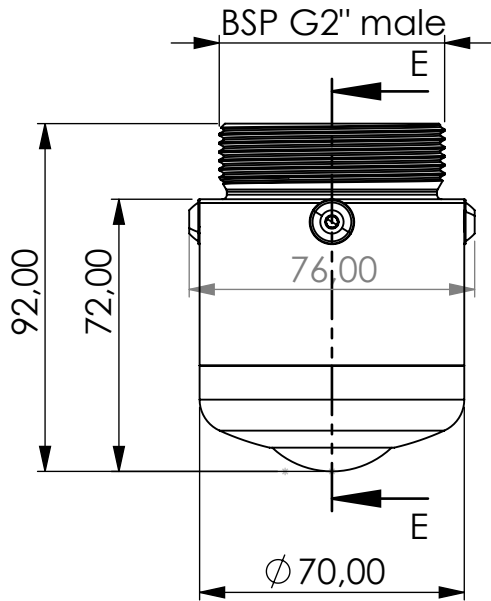
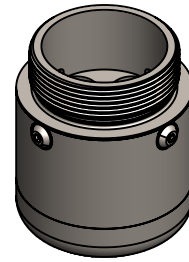
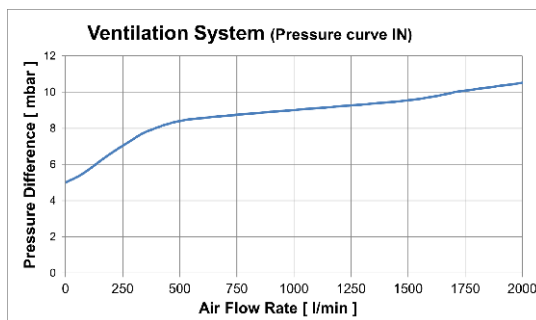
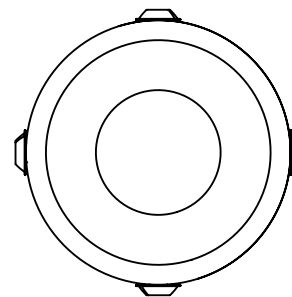


Ventilation System EBS



E-E



Product Code	EBS	-	IN	-	VL	-	SS	-	1	-	V0,005	-	G2m
	Ventilation System EBS		IN-only version		for inline Adsorbers		Material stainless steel 316L		1 Valve (in)		5mbar opening pressure		Connection for System BSP G2" male

Total weight (kg): 0.56

NAME:

Ventilation System EBS
EBS-IN-VL_SS_1-V0,005_G2m

Article no.:
08.0000.53

Status approved

Format A4

Ratio 1:2

Sheet / of 1 / 1



GIEBEL Adsorber®
...setting standards in aeration drying!

GIEBEL FilTec GmbH
www.giebel-adsorber.com
info@gf-dry.com